



Label Placement Guide

P/N 7300-286



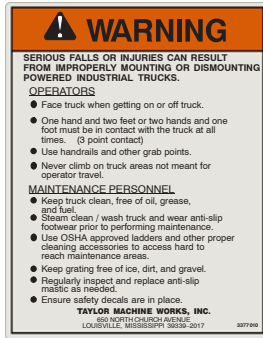
IMPORTANT!
Read contents carefully prior to operation.

RECOMMENDED WARNING LABEL PLACEMENT ON TAYLOR MACHINES

PLACEMENT OF LABELS MAY VARY DUE TO CONSTRUCTION DESIGN OF MACHINES. LABELS SHOULD ALWAYS BE PLACED ON SURFACES THAT ARE HIGHLY VISIBLE TO THE OPERATOR AND BYSTANDERS.

- PLACEMENT OF LABELS 3377-010, 3377-019, AND 3377-020 ON THE EXTERIOR OF MACHINE... EXAMPLE A AND EXAMPLE B.
- PLACE LABEL NO. 3377-010 AS CLOSE AS POSSIBLE TO LABEL NO. 3377-020 AND IN CLEAR VIEW OF THE OPERATOR AND BYSTANDERS.
- PLACE LABEL NO. 3377-019 CENTERED ON ACCESS STEPS AND CLEARLY VISIBLE AS INDICATED IN EXAMPLE A. AND EXAMPLE B.

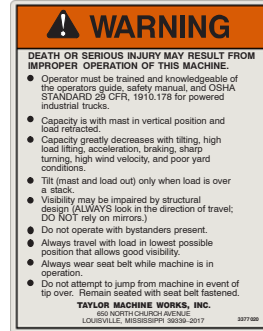
LABEL NO. 3377-010



LABEL NO. 3377-019

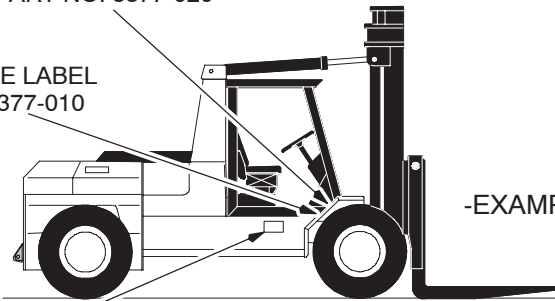


LABEL NO. 3377-020



WARNING / DEATH OR INJURY LABEL PART NO. 3377-020

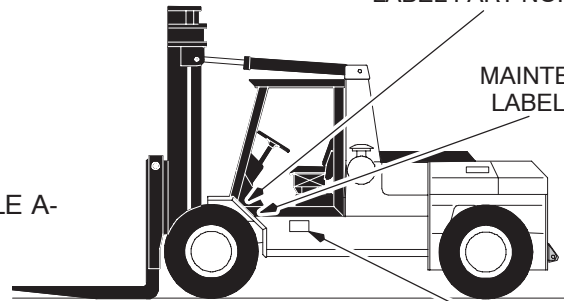
MAINTENANCE LABEL LABEL NO. 3377-010



-EXAMPLE A-

WARNING / DEATH OR INJURY LABEL PART NO. 3377-020

MAINTENANCE LABEL LABEL NO. 3377-010



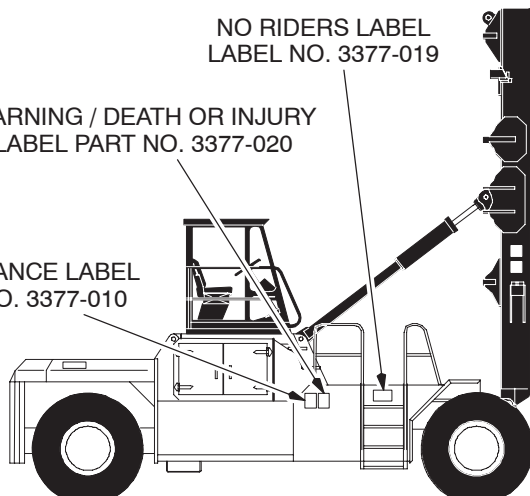
NO RIDERS LABEL LABEL NO. 3377-019

NO RIDERS LABEL LABEL NO. 3377-019

NO RIDERS LABEL LABEL NO. 3377-019

WARNING / DEATH OR INJURY LABEL PART NO. 3377-020

MAINTENANCE LABEL LABEL NO. 3377-010

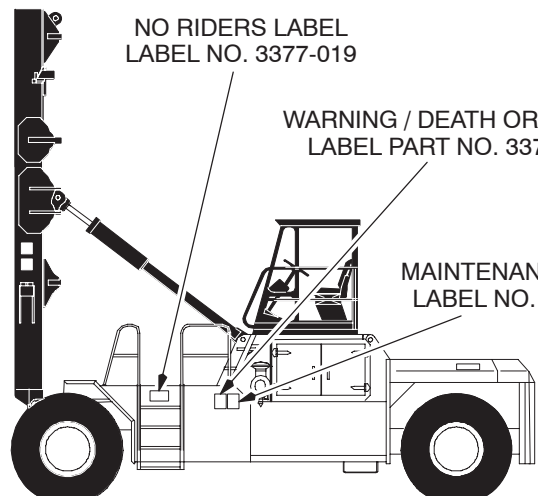


-EXAMPLE B-

NO RIDERS LABEL LABEL NO. 3377-019

WARNING / DEATH OR INJURY LABEL PART NO. 3377-020

MAINTENANCE LABEL LABEL NO. 3377-010



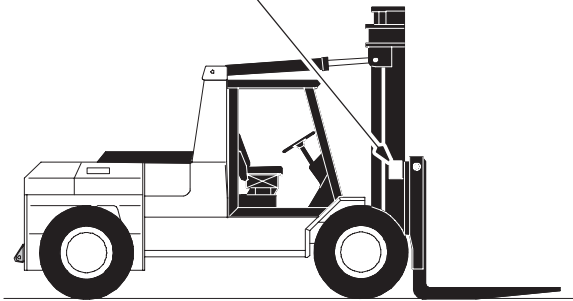
Warning Label No. 3377-024 advises personnel to stay clear of the front-end lifting mechanisms on Taylor machines. The label should be placed as close as possible to eye level on both sides of the mast as shown below.

For additional information or instruction contact the Customer Assurance Division at Taylor Machine Works.

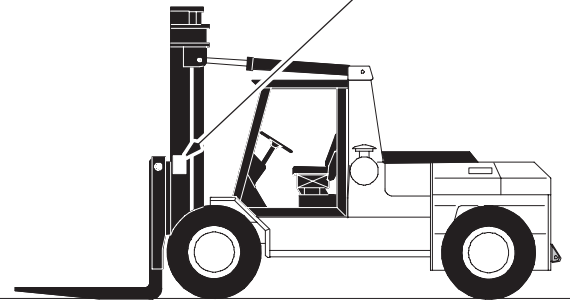
WARNING LABEL NO. 3377-024



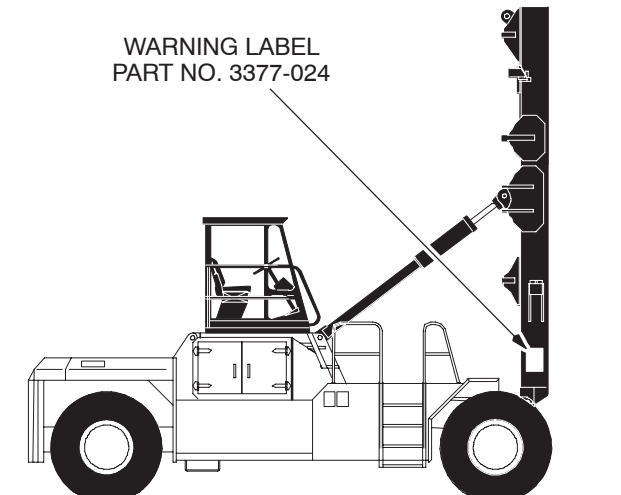
WARNING LABEL
PART NO. 3377-024



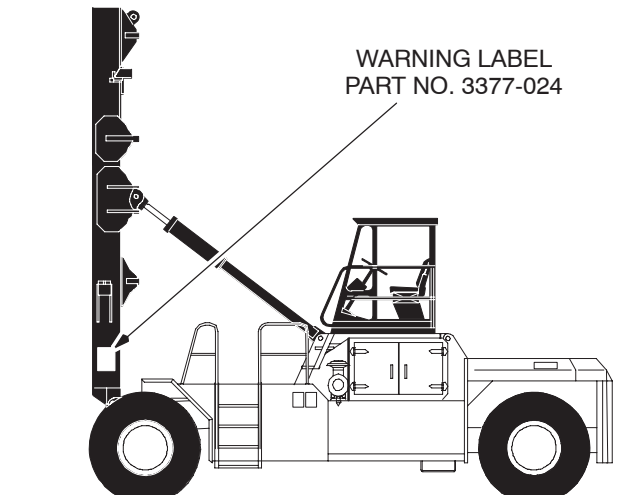
WARNING LABEL
PART NO. 3377-024



WARNING LABEL
PART NO. 3377-024

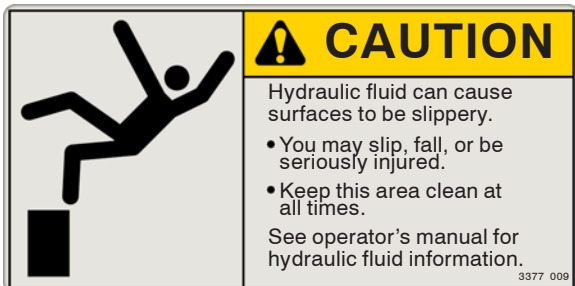


WARNING LABEL
PART NO. 3377-024

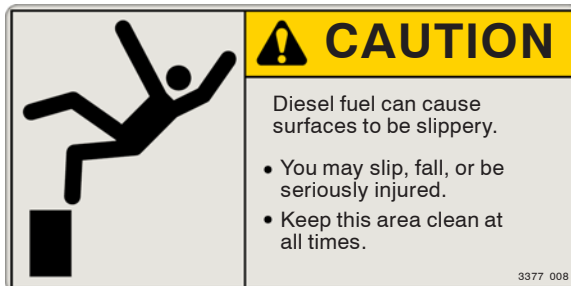


- PLACEMENT OF LABELS 3377-008 AND 3377-009 ON THE EXTERIOR OF MACHINE... EXAMPLE A AND EXAMPLE B.
- PLACE LABEL NO. 3377-008 ON VERTICAL FACE OF FUEL TANK UNDERNEATH THE FILLER NECK AS INDICATED IN EXAMPLE A. AND EXAMPLE B.
- PLACE LABEL NO. 3377-009 ON VERTICAL FACE OF HYDRAULIC TANK UNDERNEATH THE FILLER NECK AS INDICATED IN EXAMPLE A. AND EXAMPLE B.

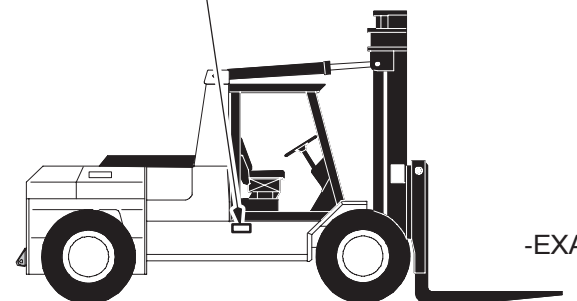
WARNING LABEL NO. 3377-009



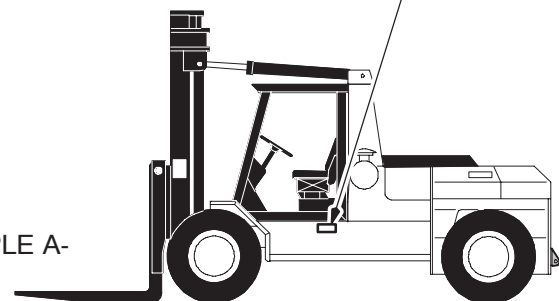
WARNING LABEL NO. 3377-008



WARNING LABEL PART NO. 3377-009

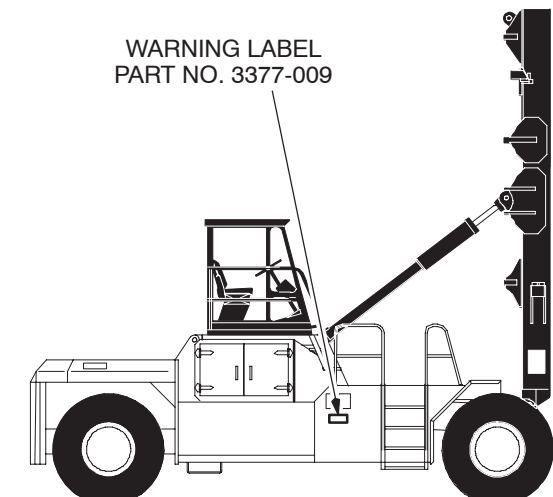


WARNING LABEL PART NO. 3377-008

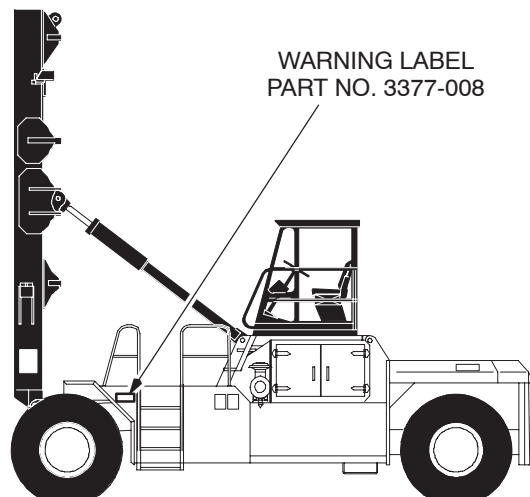


-EXAMPLE A-

WARNING LABEL PART NO. 3377-009



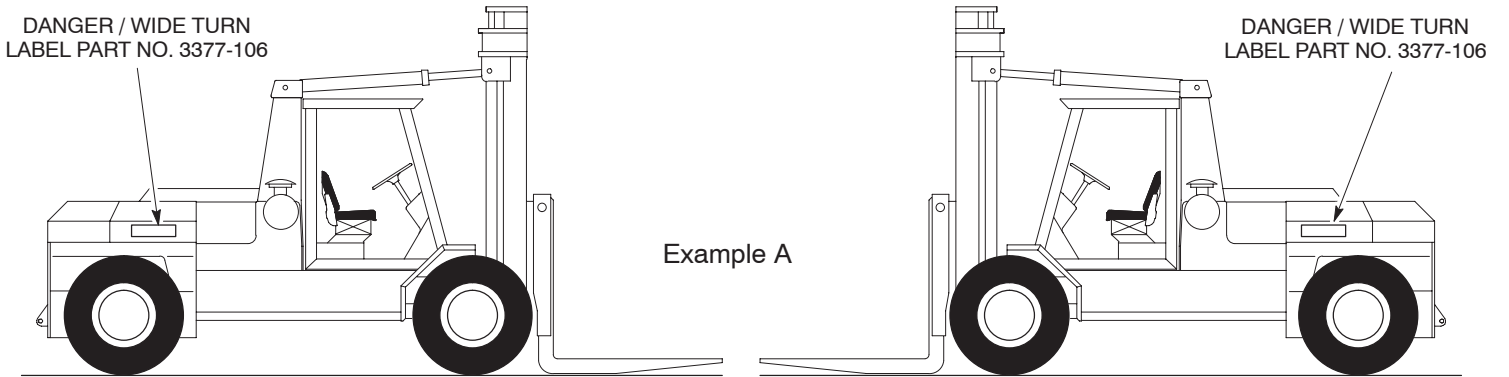
WARNING LABEL PART NO. 3377-008



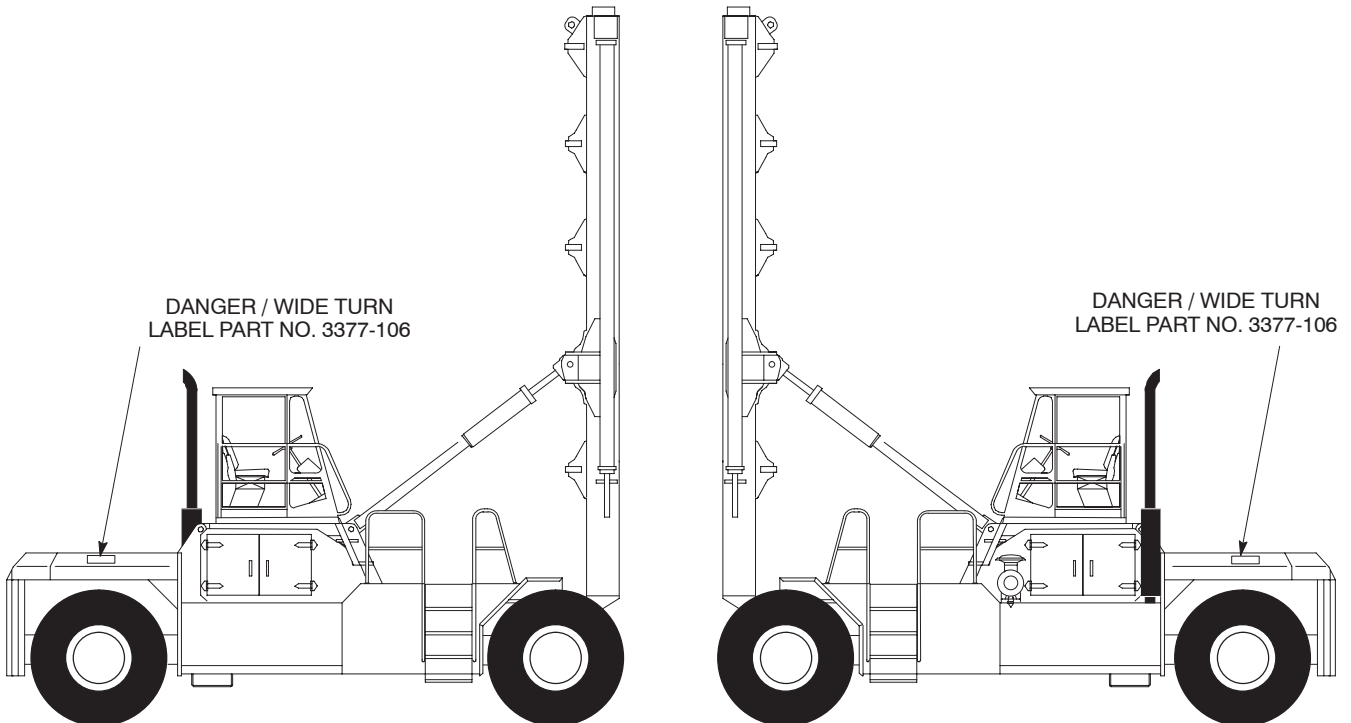
-EXAMPLE B-



Placement of Label No. 3377-106 on exterior of machine... Example A

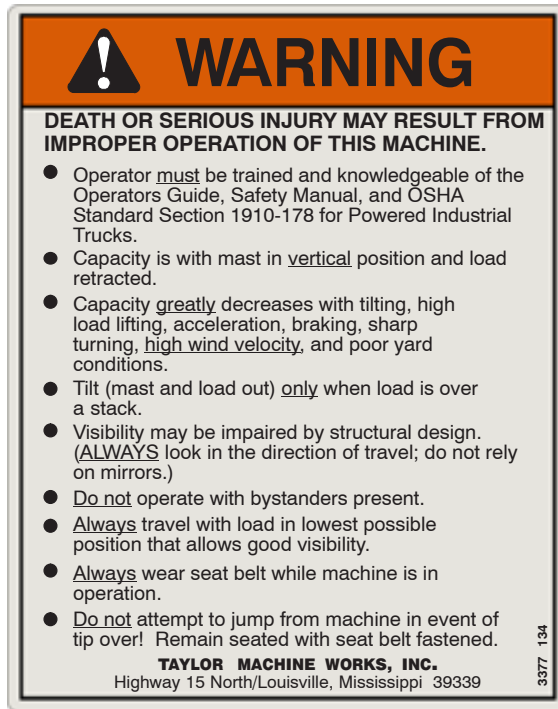


Placement of Label No. 3377-106 on exterior of machine... Example B

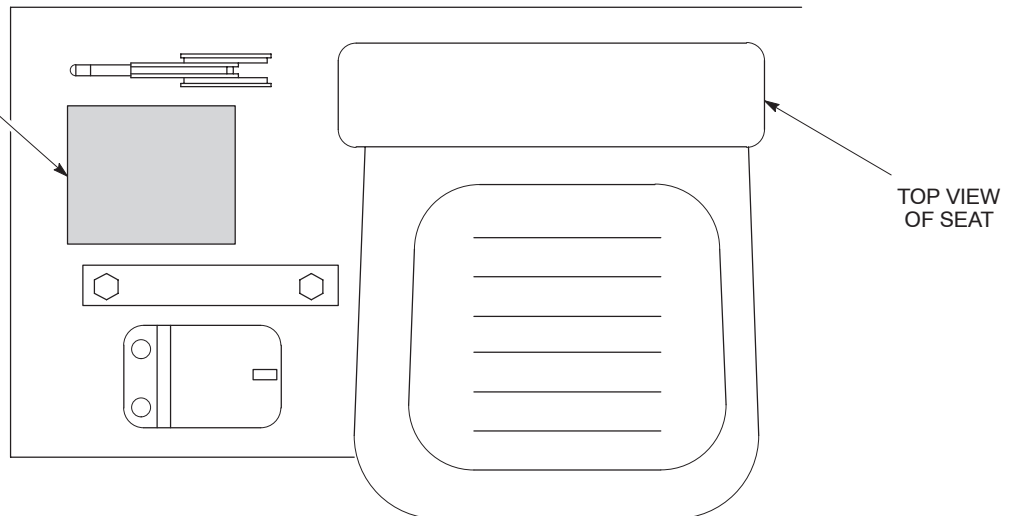


Example B

Label No. 3377-134



WARNING / DEATH OR INJURY
LABEL PART NO. 3377-134



Placement of Label No. 3377-134... Right-hand Side Operator in a location that is easily visible to the operator at all times

Label No. 3377-170

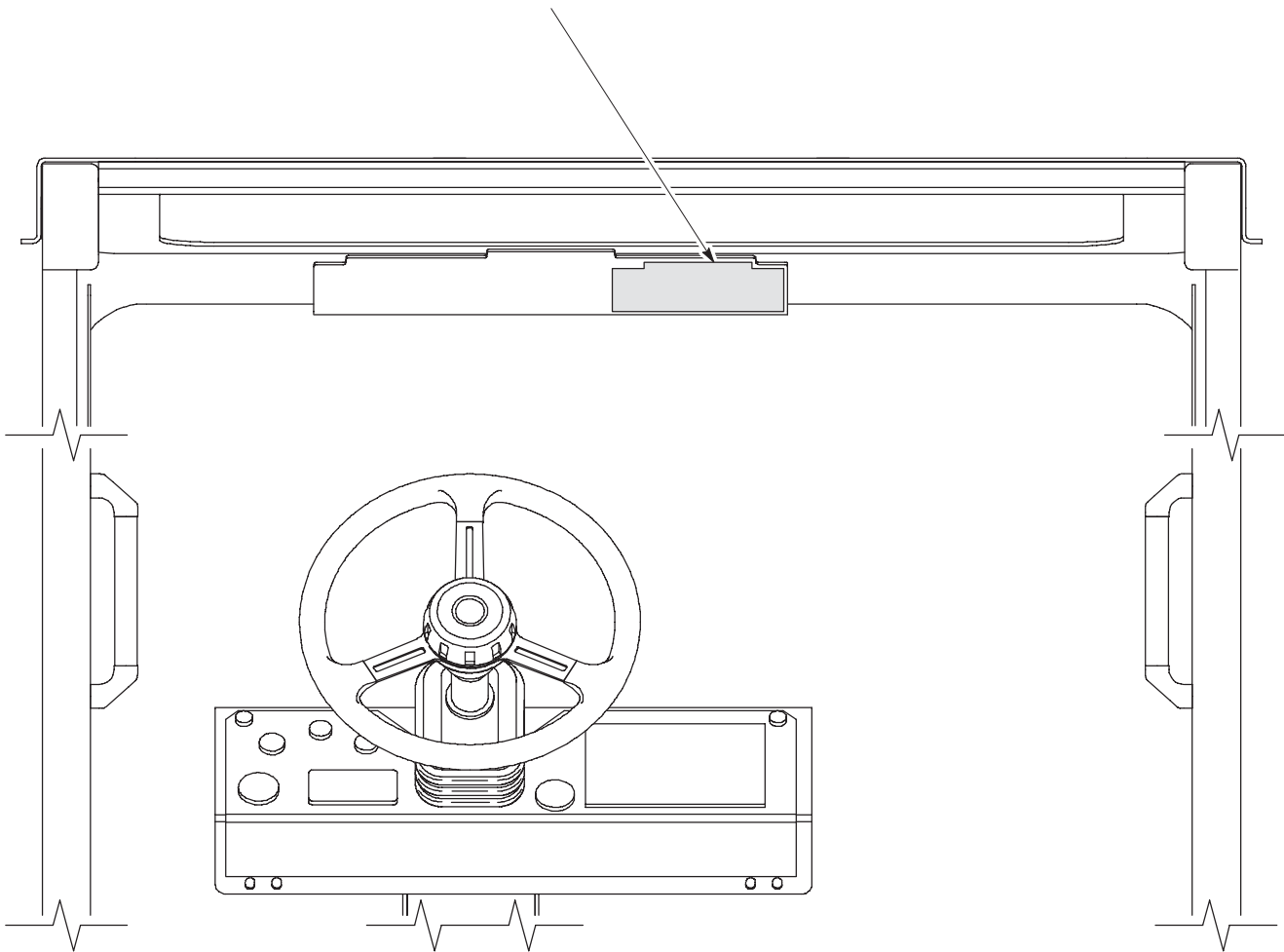
⚠ WARNING

DEATH OR SERIOUS INJURY MAY RESULT FROM IMPROPER OPERATION OF THIS MACHINE!

- Operator **MUST** be trained and knowledgeable of the Operators Guide, Safety Manual, and OSHA Standard 29 CFR, 1910.178 for Powered Industrial Trucks.
- Capacity is with mast in **VERTICAL** position and load retracted.
- Capacity **GREATLY** decreases with tilting, high load lifting, acceleration, braking, sharp turning, **HIGH WIND VELOCITY**, and poor yard conditions.
- Tilt (mast and load out) **ONLY** when load is over a stack.
- Visibility may be impaired by structural design (**ALWAYS** look in the direction of travel; **DO NOT** rely on mirrors.)
- **DO NOT** operate with bystanders present.
- **ALWAYS** travel with the load in the lowest possible position that allows good visibility.
- **ALWAYS** wear seat belt while machine is in operation.
- **DO NOT** attempt to jump from machine in event of tip over! Remain seated with seat belt fastened.

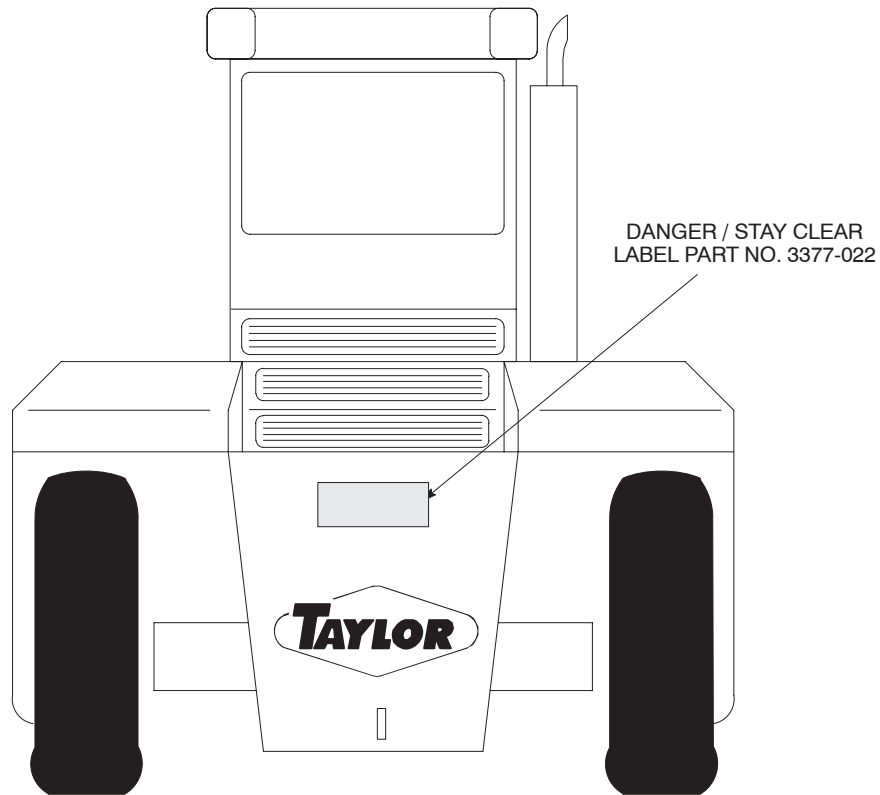
TAYLOR MACHINE WORKS, INC. 3690 NORTH CHURCH AVENUE / LOUISVILLE, MISSISSIPPI 39339-0127, U.S.A.
3377 170

WARNING / DEATH OR INJURY
LABEL PART NO. 3377-170



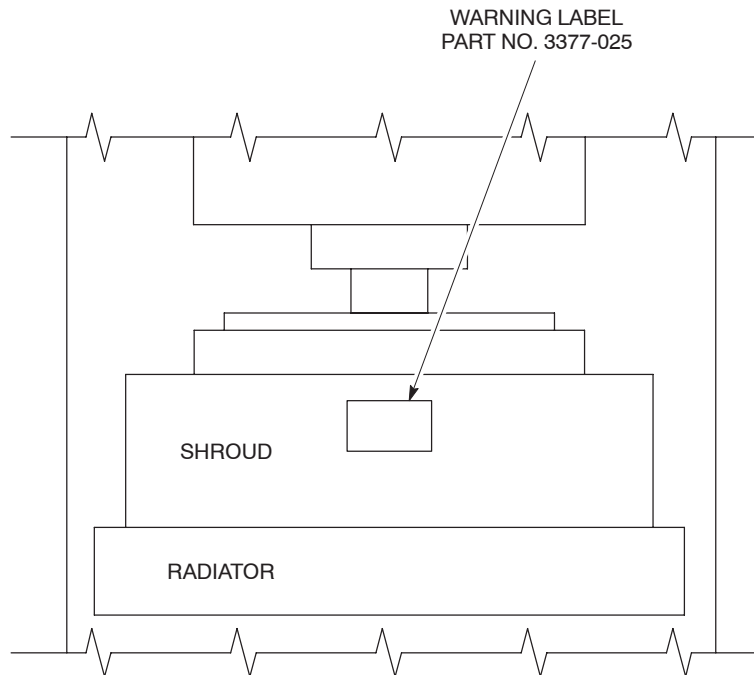
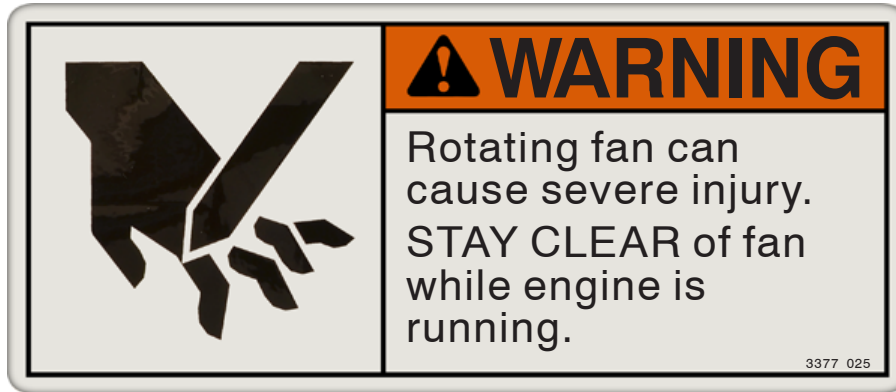
Placement of Label No. 3377-170. Right hand side on Decal Mount Plate located in the front of the cab on the top cross-member.

Label No. 3377-022



Placement of Label No. 3377-022 should be horizontally centered between the Taylor logo and the top of the counterweight plate (as illustrated) on the rear of the machine.

Label No. 3377-025



This label warns personnel to stay clear of the fan if they are servicing the machine with the engine running. The label should be placed on top of the fan shroud as shown below. If the fan shroud is too narrow or if the machine is equipped with side doors instead of a top raising hood, a label should be placed on each side of the engine compartment in a highly visible location. Apply the label to a clean, dry, oil free surface. Do not apply the label to the radiator because heat will destroy it.

General Vinyl Decal Application Instructions

The following are general instructions which can be used for the installation of most common vinyl decals with pressure sensitive adhesives. Special materials and/or adhesives may require different or additional instructions. In these cases contact the TMW Engineering Department.

1. For best results, application surface must be at room temperature or higher. Low temperature surfaces, below 50° can cause the adhesive to become firm and prevent full contact with the application surface. Decal and application surface must be at the same temperature.
2. The application surface must be clean and dry before the decal is to be applied.
 - 2.A Clean surfaces with cleaning solvent to remove dirt, debris, grease and other contaminants. Acceptable solvents are Heptane, Isopropyl Alcohol, and Crest Industries Acry-Solv.
 - 2.B Allow solvent to evaporate or dry fully before applying decal.
3. Remove backing from decal. Avoid touching the edges of the decal. Handling should only be done at the center of the decal to maximize edge adhesion. Avoid repeated touching of the adhesive surface.
4. Apply decal to clean surface. Ensure decal is properly aligned and located. Always refer to the Taylor installation drawing for the specific machine model for location and part numbers. Ensure that no wrinkles or air bubbles are present under decal material.
5. There are vinyl decal application fluids commercially available to aid in the temporary repositioning of the decal after application. Additionally, a solution of water and “baby” shampoo can be used. Ensure surface is clean before spraying application fluid. Ensure fluid is completely “squeegeed” from beneath decal material. Allow to dry after positioning before touching further.
6. For vinyl decals with pressure sensitive adhesives, high adhesive bond strength is achieved through increased rubdown pressure. After decal has been applied to surface, smooth decal with plastic application spreader providing firm, even pressure over the entire decal surface area.
7. Any decals with air bubbles or wrinkles present, improper alignment or location, or edges lifting away from the application surface must be removed and replaced according to this procedure.

IF ANY OF THE FOLLOWING LABELS ARE MISSING FROM YOUR MACHINE IT IS IMPORTANT THAT YOU REPLACE THEM IMMEDIATELY.

3377-134 OR 3377-001 3377-020, 3377-106,
3377-010, 3377-019, 3377-022, 3377-024,
3377-025

IF YOU NEED ASSISTANCE, CONTACT YOUR LOCAL TAYLOR DEALER OR TAYLOR MACHINE WORKS' MARKET RESEARCH DEPARTMENT AT (662) 773-3421

TAYLOR MACHINE WORKS, INC.

3690 NORTH CHURCH AVENUE
LOUISVILLE, MISSISSIPPI 39339-2070
PHONE (662) 773-3421